

CAPACITIVE PROXIMITY SWITCHES **M18x1**

Special features



- Permits non-contact detection of metallic and non-metallic objects such as glass, water, oil and plastic.
- Sensitivity adjustment.
- Reverse polarity protection.
- Switching component-transistor.
- Short circuit protection.

	output	detecting distance(Sn)	housing	body material	connection	indication
CD18P1E1	PNP/NO	5mm	2	brass(chrome plated)	cable	-
CD18P1E1L	PNP/NO	5mm	2	brass(chrome plated)	cable	LED
CD18P1E2	PNP/NO	5mm	2	PVC	cable	-
CD18P1E2L	PNP/NO	5mm	2	PVC	cable	LED
CD18P11	PNP/NO	8mm	1	brass(chrome plated)	cable	-
CD18P11L	PNP/NO	8mm	1	brass(chrome plated)	cable	LED
CD18P12	PNP/NO	8mm	1	PVC	cable	-
CD18P12L	PNP/NO	8mm	1	PVC	cable	LED
CD18P21	PNP/NC	8mm	1	brass(chrome plated)	cable	-
CD18P21L	PNP/NC	8mm	1	brass(chrome plated)	cable	LED
CD18P22	PNP/NC	8mm	1	PVC	cable	-
CD18P22L	PNP/NC	8mm	1	PVC	cable	LED
CD18N1E1	NPN/NO	5mm	2	brass(chrome plated)	cable	-
CD18N1E1L	NPN/NO	5mm	2	brass(chrome plated)	cable	LED
CD18N1E2	NPN/NO	5mm	2	PVC	cable	-
CD18N1E2L	NPN/NO	5mm	2	PVC	cable	LED
CD18N11	NPN/NO	8mm	1	brass(chrome plated)	cable	-
CD18N11L	NPN/NO	8mm	1	brass(chrome plated)	cable	LED
CD18N12	NPN/NO	8mm	1	PVC	cable	-
CD18N12L	NPN/NO	8mm	1	PVC	cable	LED
CD18N21	NPN/NC	8mm	1	brass(chrome plated)	cable	-
CD18N21L	NPN/NC	8mm	1	brass(chrome plated)	cable	LED
CD18N22	NPN/NC	8mm	1	PVC	cable	-
CD18N22L	NPN/NC	8mm	1	PVC	cable	LED

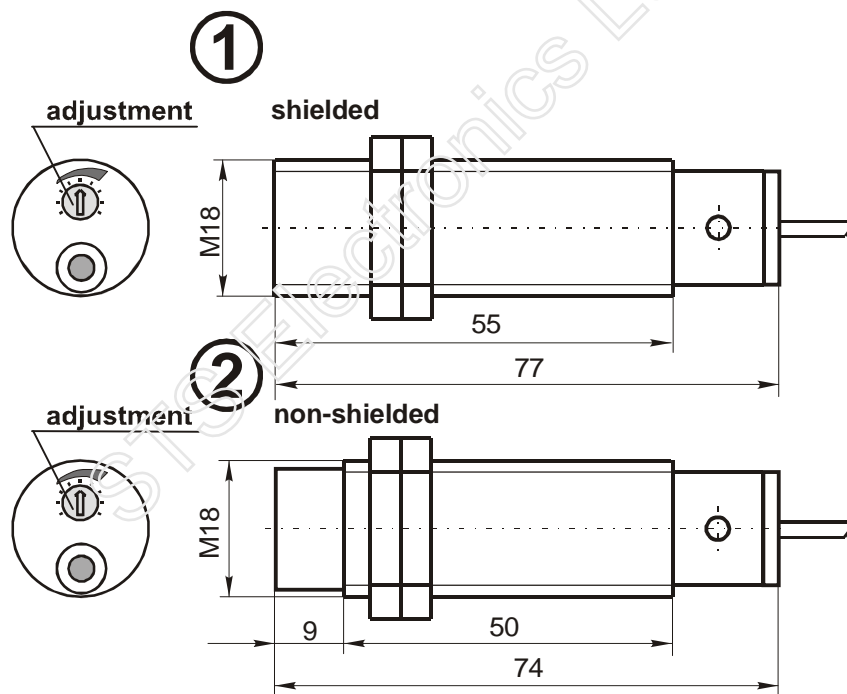
The detecting distance (Sn) depends on the material of the object. Electrically conductive materials must be grounded.

$Se = k \cdot Sn$	• water	k = 1	Thickness > 3mm Dimensions >30x30 mm
	• steel 37	k = 1	
	• glass	k = 0,2...0,5	
	• oil/petrol	k = 0,2	
	• porcelain	k = 0,4...0,5	
	• rubber	k = 0,2...0,3	
	• carton	k = 0,1...0,2	
• PVC	k = 0,2...0,3		

Technical features

Supply voltage	10...30V
Ripple	до 10%
No load current	до 25mA
Maximum output current	250mA
Maximum commutation frequency	100, Hz
Saturation voltage	≤1.6 V
Isolation resistance	>10 Mом/500V
Ambient temperature (operating)	-10...+55°C
Degree of protection	IP67
Vibration resistance	10...55Hz amplitude 0,35mm
Shock resistance	98m/s ² (10g)

HOUSING



Connection circuits

